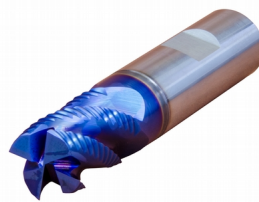


## SECOND LIFE - NEW

**Top offer**

**save up to 50%**



All tools come from industry with special high-performance-processes and have become too small.

They are one-off pieces of scientific projects or they come from excess capacity of finished production lines.

Over 85-90% of the main features are still present.

All tools are professionally reconditioned.

Please ask us, we will make you a good price!

General:

While stocks last, subject to available.

Ex Works.

Pre paid.

All prices in EURO/piece.

GESAU-WERKZEUGE, Fabrikations- und Service GmbH

Tunnelweg 2a

08371 Glauchau

E-Mail: [infomail@gesau-werkzeuge.de](mailto:infomail@gesau-werkzeuge.de)

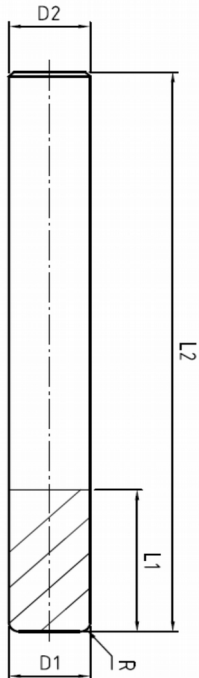
[www.gesau-werkzeuge.de](http://www.gesau-werkzeuge.de)

Tel.: +49(0)3763/60040

Fax: +49(0)3763/600420

**GESAU-WERKZEUGE** 

## STOCK LIST – Various milling cutters of different sizes



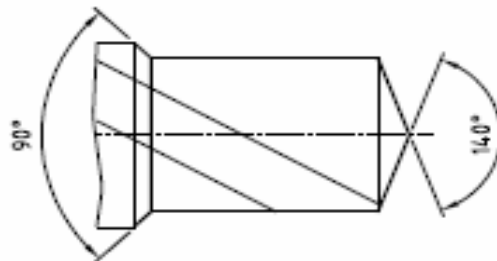
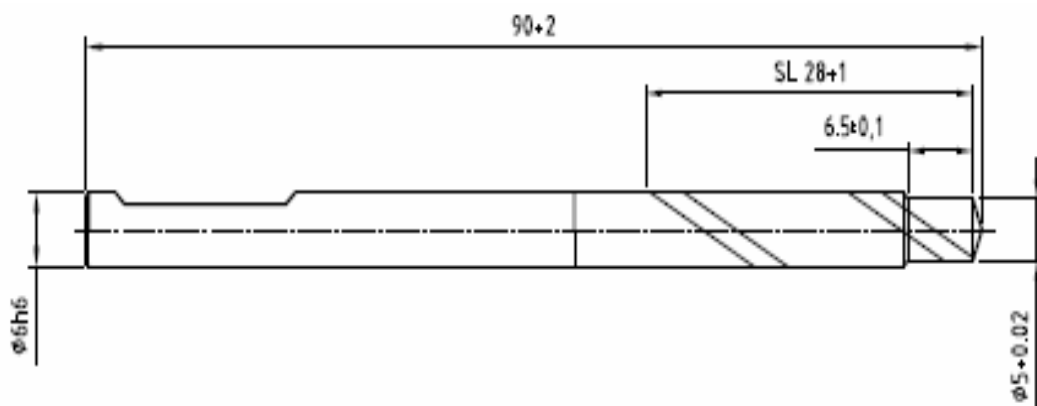
Position	D1 [mm]	D2 [mm]	L2 [mm]	L1 [mm]	R [mm]	number of teeth	Shank DIN 6535	manufacturer	Price [€/piece]	approximate list price [€/pc]
1	8,0	8,0	63,0	16,0	without	4	HB	Iscar	20,40 €	41,00 €
2	9,0	10,0	71,0	20,0	without	4	HB	Iscar	27,00 €	55,00 €
3	10,0	10,0	72,0	20,0	without	4	HB	Iscar	27,40 €	55,00 €
4	11,0	12,0	84,0	27,0	without	4	HB	Iscar	32,50 €	69,00 €
5	12,0	12,0	83,0	24,0	without	4	HB	Iscar	32,50 €	65,00 €
6	14,0	14,0	93,0	30,0	without	4	HB	Iscar	46,00 €	92,00 €
7	15,0	16,0	92,0	32,0	without	4	HB	Iscar	57,50 €	98,00 €
8	15,0	16,0	92,0	34,0	without	4	HB	Iscar	57,50 €	98,00 €
9	16,0	16,0	92,0	24,0	without	5	HB	Iscar	57,50 €	98,00 €
10	16,0	16,0	94,0	34,0	without	4	HB	Iscar	57,50 €	98,00 €
11	17,0	18,0	93,0	36,0	without	4	HB	Iscar	78,00 €	156,00 €
12	18,0	18,0	92,0	32,0	without	4	HB	Iscar	78,00 €	156,00 €
13	19,0	20,0	105,0	43,0	without	4	HB	Iscar	98,30 €	197,00 €
14	20,0	20,0	93,0	21,0	without	3	HA	Iscar	98,30 €	197,00 €
15	20,0	20,0	105,0	43,0	without	4	HB	Iscar	98,30 €	197,00 €
17	22,0	25,0	122,0	48,0	without	4	HB	Iscar	159,50 €	319,00 €
18	23,0	25,0	121,0	48,0	without	4	HB	Iscar	159,50 €	319,00 €
19	24,0	25,0	123,0	52,0	without	4	HB	Iscar	159,50 €	319,00 €
20	25,0	25,0	122,0	53,0	without	4	HB	Iscar	159,50 €	319,00 €

GROUP ISCAR

**GESAU-WERKZEUGE** 

## Special tools

### Solid carbide step drill



Solid carbide step drill, coated  
Shank DIN 6535 HB long  
5x6,5/90°x28x6x90mm;Z2

**Stock: 24 pieces**

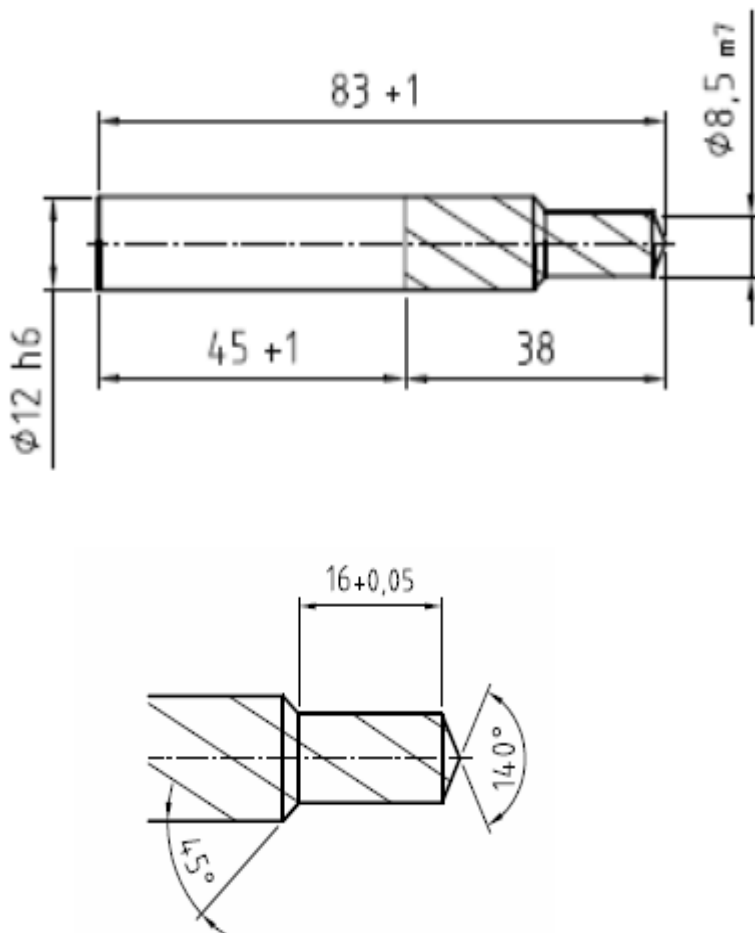
**Price: 27,90€/pc.**

approximate list price: 55,80€/pc.

**GESAU-WERKZEUGE** 

## Special tools

### Solid carbide step drill



Solid carbide step drill, coated  
Shank DIN 6535 HA  
8,5 x 16/90° x 12 x 83 mm, Z=2  
8,5x90°x12x83

**Stock: 81 pieces**

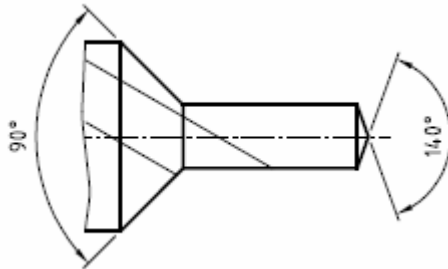
**Price: 49,50€/pc.**

approximate list price: 99,00€/pc.

**GESAU-WERKZEUGE** 

## Special tools

### Solid carbide step drill



Solid carbide step drill, coated  
Shank DIN 6535 HA  
2x5,5/90°x20x6x80mm; Z2

**Stock: 24 pieces**

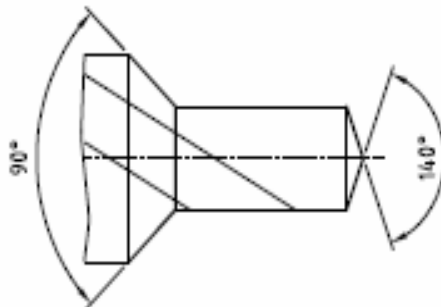
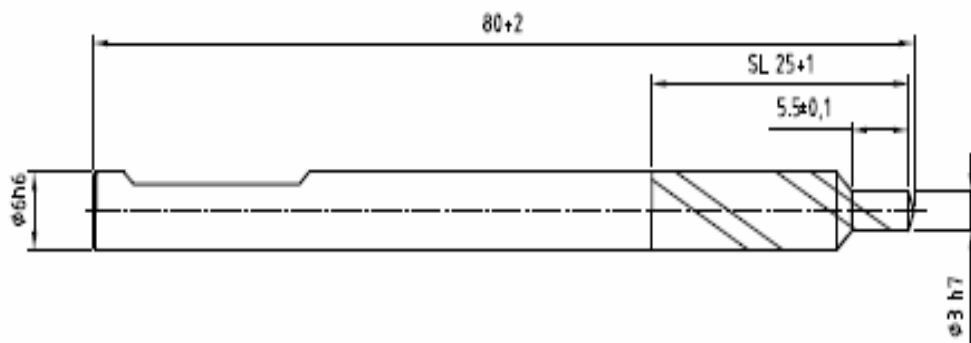
**Price: 19,50€/pc.**

approximate list price: 39,00€/pc.

**GESAU-WERKZEUGE** 

## Special tools

### Solid carbide step drill



Solid carbide step drill, coated  
Shank DIN 6535 HB long  
3x5,5/90°x25x6x80mm; Z2

**Stock: 20 pieces**

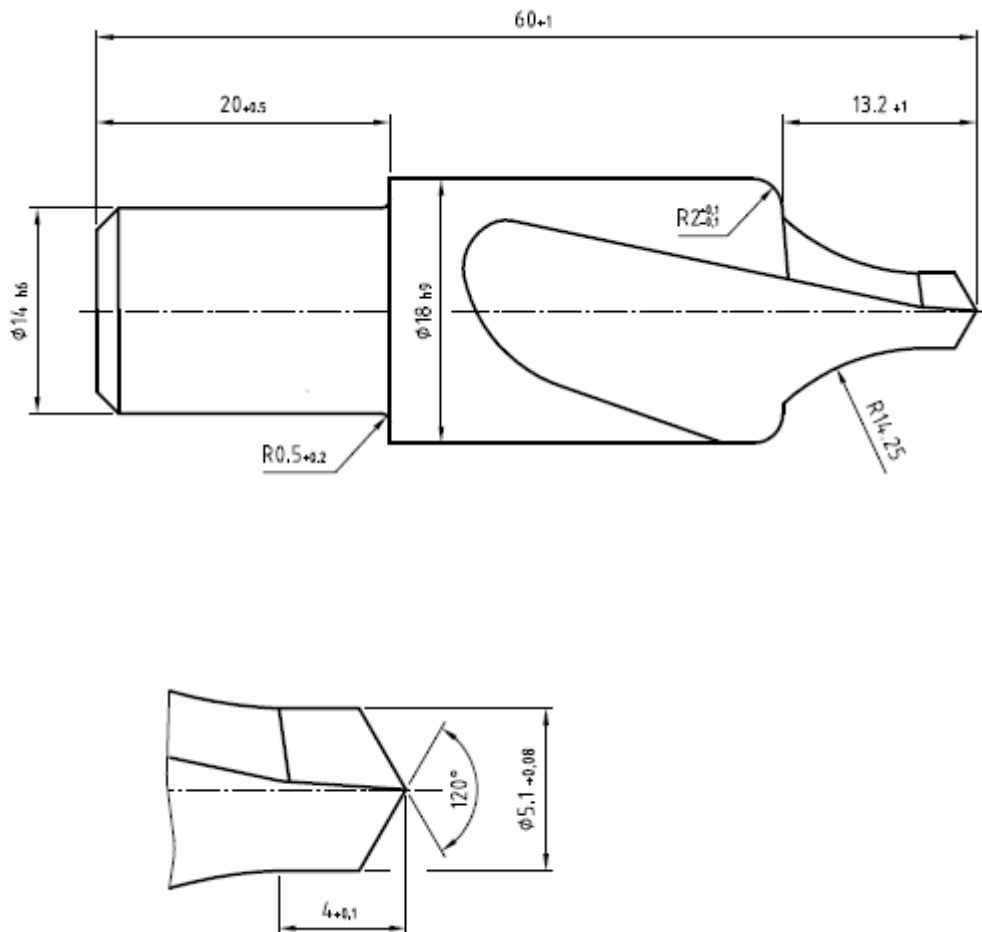
**Price: 19,50€/pc.**

approximate list price: 39,00€/pc.

**GESAU-WERKZEUGE** 

## Special tools

### Solid carbide center drill



Solid carbide special center drill  
Shank DIN 6535 HA  
5 x 18 x 60 mm, Shank 14 mm, coated  
5x18x60

**Stock: 10 pieces**

**Price: 59,50€/pc.**

approximate list price: 137,00€/pc.

**GESAU-WERKZEUGE** 